



MDL
McDonald Diecasting Ltd
THE FINISHING TOUCH

JUNE 2018

**ENHANCING THE HUMAN
INTERACTION WITH
EVERY PRODUCT WE MAKE**

CONTENTS

4

WHAT WE DO



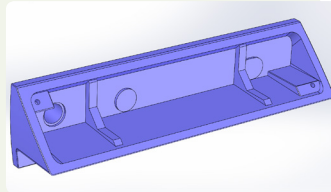
5

HOW WE DO IT



6

DESIGN AND DEVELOPMENT



7

MANUFACTURING



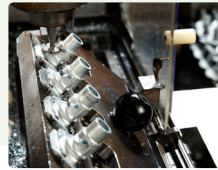
8

FINISHING



9

ASSURED QUALITY AND SUPPLY



10

WHY ZINC?



12

DIECASTINGS FOR THE HOME SECTOR



13

DIECASTINGS FOR THE LEISURE SECTOR



14

DIECASTINGS FOR THE MEDICAL SECTOR



15

THE BENEFITS WE DELIVER



16

GETTING IN TOUCH



WHAT WE DO

At MDL, we produce aesthetically stunning diecastings for the home, medical and leisure sectors.

We pay meticulous attention to detail throughout our manufacturing process in order to add the finishing touch.

The quality of our high-pressure diecasting is also underpinned by state-of-the-art design and development technologies, access to market-leading finishing processes and a customer-driven ethos that you'd expect from a family business with over 80 years experience.



HOW WE DO IT

MDL understands what it takes to produce components with an exceptional surface finish.

We also have the expertise to produce zinc diecast components that will flawlessly accept powder coating, wet paint coating, chrome plating, copper plating and other finishes.

Finally, our attention to detail is unsurpassed and dictates the way in which every product is lovingly hand finished and assembled.

As such, we are able to deliver components that consistently improve the way in which end users interact with our customers products.

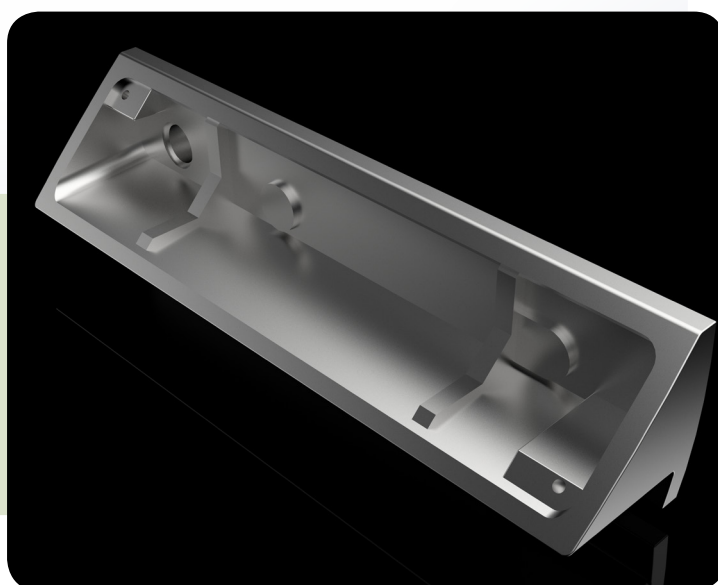
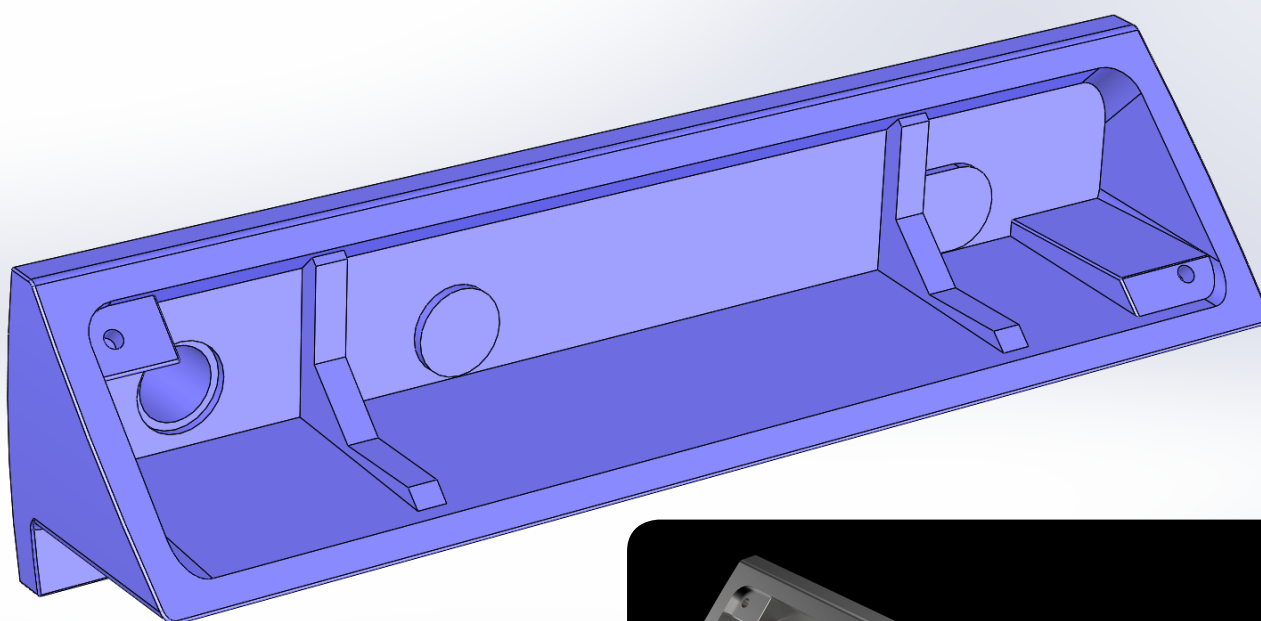


DESIGN AND DEVELOPMENT

MDL works with clients to provide unrivalled support throughout the design and development process.

This approach allows us to either configure brand new components or refine customer designs to make them quicker, easier and more cost-effective to manufacture.

- CAD / CAM capabilities including SolidWorks
- Steinbichler 3D scanning
- Rapid prototyping and Stratasys 3D printing
- Toolmaking and modification



MANUFACTURING

MDL is committed to manufacturing in the UK and produces diecastings at our factory in the West Midlands. We have also developed a uniquely flexible approach that enables us to continually exceed customer expectations.

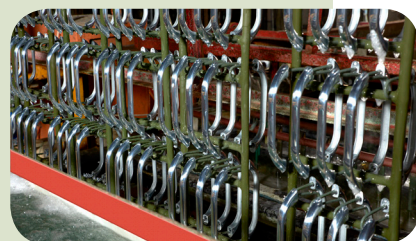
- 9 High pressure diecasting machines (80 tonne – 120 tonne pressure)
- Diecastings up to 900g in weight
- Multi cavity tools producing 200 – 1,600 parts per hour
- Bespoke process with innovative, purpose built plant and equipment which provide the perfect production platform for the diecastings that we manufacture



FINISHING

Our team carefully polishes and prepares every component. As a result, our diecastings are guaranteed to provide the finishing touch in every application.

- Chrome plating, copper plating, powder coating, wet paint coating and other specialist finishes
- Hand polishing to achieve a mirror like finish
- Assembly and bespoke packaging



ASSURED QUALITY AND SUPPLY

MDL is a quality assured organisation and accredited to BS EN ISO 9001:2015. Our internal quality control processes have been developed to support the delivery of assured component integrity, repeatability and consistency.

As a member of the highly successful Thomas Dudley Group, we are also able to call upon resources, financing and technologies that are beyond many stand-alone diecasting manufacturers.

As a result, customers are given the reassurance of knowing that we can work with them as a financially secure, long term strategic partner.



WHY ZINC?

- The quality of off-tool zinc diecastings is such that no machining is required other than drilling, tapping and polishing. This enables the costs and time associated with dressing components in other materials to be removed from the manufacturing process
- Zinc components have a very smooth surface and readily accept a wide range of finishes including chrome plating, copper plating, powder coating and wet paint coating
- The fluidity of molten zinc allows intricately designed and thin walled components to be manufactured with greater precision and consistency
- The tooling used to produce zinc diecastings has an exceptionally long working life which helps to spread costs over a greater volume of components in order to minimise unit costs
- With environmentally responsible sourcing becoming an increasingly important issue for many organisations, it is reassuring to know that zinc is simple to recycle and has a lower melting point than some other metallic materials so consumes less energy
- Zinc has good inherent strength and proven durability so is ideal for use in applications where components provide the interface between a product or appliance and the end user. The heavier weight of zinc diecastings also enables them to convey a feeling of quality every time they are touched





DIECASTINGS FOR THE HOME SECTOR

Whether you need bath grips, cooker dials or kitchen cabinet door handles, MDL can enhance the quality of your own products with aesthetically stunning components. In short, we add the finishing touch.

We call upon extensive expertise and a proven track record when customers require quality assured diecast parts in a choice of specialised finishes.

We're also committed to offering value adding solutions and will support you through the concept, design and prototyping of components. Cutting edge CAD / CAM, 3D scanning and 3D printing capabilities help bring your ideas to life.

What's more, we know what it takes to be the best at what we do and passionately believe in enhancing the human interaction with every product we make.



DIECASTINGS FOR THE LEISURE SECTOR

MDL is a manufacturer with a difference.

We provide a UK based, single source solution for a diverse range of game token, gaming piece, golf ball marker, decorative badge, model traction engine and other leisure industry products.

Our team produces aesthetically superior diecastings that are pleasing to touch and that help end users to positively interact with the components that we engineer. In short, we add the finishing touch.

Leisure industry components can be supplied in a choice of customer friendly finishes including chrome and gold effect plating and powder coating. We also call upon a range of painted finishes to manufacture intricately designed corporate and branded badging that can be used to enhance any finished product.



DIECASTINGS FOR THE MEDICAL SECTOR

MDL has been one of the UK's leading medical valve, medical gas outlet and terminal unit manufacturers for over 15 years.

We understand the need for companies specialising in the medical appliances market to work with trusted partners who can operate as quality assured extensions of their own in-house manufacturing capabilities.

Our components are designed to enhance human interaction every time they are used. In short, they add the finishing touch.

All medical components are also carefully tested before leaving the factory so that customers can confidently integrate them into their larger product assemblies.



THE BENEFITS WE DELIVER

An approach that has been proven across millions of components allows MDL to work proactively in partnership with customers.

- A proven, flexible and responsive UK source of supply
- The ability to work as an extension of our customers' capabilities
- Comprehensive design and development capabilities including rapid prototyping
- The complete end-to-end service
- Wide range of finishes and coatings
- Bespoke assembly to integrate diecastings with other components
- Bespoke packaging to customer specifications
- Dispatch within 24 hours from stock

“Huge thank you - the efforts you all put in are amazing and so deeply appreciated

**Strategic Procurement Manager,
Brand Leading Medical Compressor Manufacturer**

“We have no problems with your parts and no failures in the field. We supply a great quality product and your component has to look good. After all, it is the last part of the installation and what gives that finishing touch

**Operations Director,
Largest UK Based Manufacturer of Baths and Shower Trays**

UNRIVALLED QUALITY EXCEPTIONAL SERVICE

MDL is committed to providing unrivalled diecasting solutions underpinned by exceptional service. We are proud to remain a family owned business that is driven by the same values as when we started our company in the 1930's. As a result, we are able to forge long term relationships with each and every customer.



ENQUIRIES

Please call **0121 520 1177** or email **info@mcdonald-diecasting.co.uk**



- ✉ McDonald Diecasting Ltd, Coneygre Industrial Estate, Tipton, West Midlands DY4 8XP
- ☎ 0121 520 1177 @ info@mcdonald-diecasting.co.uk
- 🌐 www.mcdonald-diecasting.co.uk 📱 @MDL1930 📺 McDonald Diecasting Ltd

